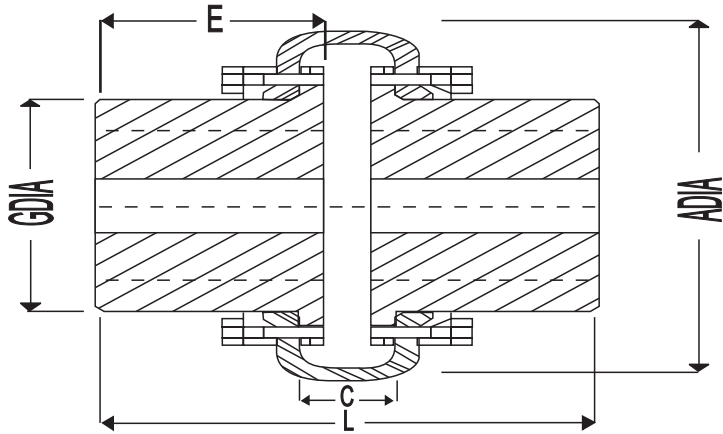
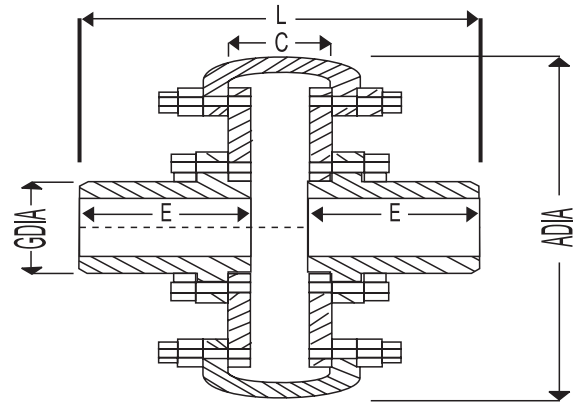




# Tyre Couplings - PH Series



UPTO SIZE 250 H



SIZE PH 600 TO PH 1250

| Size    | Max Bore mm | Max Speed RPM | Cont. Rating Torque Nm | HP/100 RPM | Max Torque Nm | A Dia mm | Appx. Dimens ions G inch | E Dia mm | C Nm | L mm | Torsional Stifness NM/rad | Interia MR 2 KgM 2 | Radial mm | Axial mm | ANG deg | Weight Kg  |
|---------|-------------|---------------|------------------------|------------|---------------|----------|--------------------------|----------|------|------|---------------------------|--------------------|-----------|----------|---------|------------|
| PH-76   | 27          | 6000          | 18                     | 0.25       | 54            | 76       | 39                       | 30       | 14   | 66   | 225                       | 0.00024            | 0.1       | 0.2      | 4       | 0.84       |
| PH-86   | 34          | 600           | 29                     | 0.4        | 87            | 86       | 49                       | 35       | 14   | 76   | 410                       | 0.00055            | 1.5       | 0.2      | 4       | 1.35       |
| PH-96   | 36          | 5500          | 36                     | 0.5        | 108           | 96       | 51                       | 35       | 16   | 76   | 510                       | 0.00086            | 1.5       | 0.2      | 4       | 1.5        |
| PH-106  | 38          | 5500          | 45                     | 0.6        | 135           | 106      | 54                       | 35       | 18   | 76   | 618                       | 0.00135            | 1.5       | 2.5      | 4       | 1.9        |
| PH-116  | 42          | 5500          | 55                     | 0.75       | 165           | 116      | 60                       | 40       | 22   | 88   | 765                       | 0.00230            | 1.5       | 2.5      | 4       | 2.75       |
| PH-125  | 48          | 5500          | 90                     | 1.25       | 270           | 126      | 68                       | 40       | 22   | 88   | 1275                      | 0.00350            | 0.2       | 2.5      | 4       | 3.5        |
| PH-140  | 50          | 5500          | 125                    | 1.75       | 375           | 140      | 75                       | 46       | 26   | 100  | 1815                      | 0.0060             | 0.2       | 2.5      | 4       | 4.75       |
| PH-160  | 50          | 5000          | 165                    | 2.25       | 495           | 160      | 82                       | 50       | 28   | 108  | 2350                      | 0.0112             | 0.2       | 2.5      | 4       | 6          |
| PH-178  | 60          | 4500          | 220                    | 0.3        | 660           | 178      | 100                      | 60       | 32   | 128  | 3140                      | 0.023              | 2.5       | 2.5      | 4       | 11         |
| PH-190  | 65          | 4000          | 285                    | 0.4        | 885           | 190      | 105                      | 70       | 30   | 146  | 4170                      | 0.034              | 2.5       | 2.5      | 4       | 14         |
| PH-218  | 75          | 3500          | 430                    | 0.6        | 218           | 124      | 75                       | 36       | 160  | 6380 | 0.065                     | 2.5                | 0.3       | 4        | 21      | 21         |
| PH-250  | 85          | 3000          | 610                    | 8.5        | 1830          | 250      | 145                      | 90       | 40   | 192  | 9075                      | 0.123              | 0.3       | 3.5      | 4       | 32         |
| PH-272S | 75          | 2750          | 740                    | 10.5       | 2220          | 272      | 125                      | 80       | 40   | 173  | 10800                     | 0.131              | 0.3       | 3.5      | 4       | 28         |
| PH-272H | 100         | 2750          | 740                    | 10.5       | 2220          | 272      | 163                      | 96       | 40   | 205  | 10800                     | 0.189              | 0.3       | 3.5      | 4       | 38         |
| PH-292S | 80          | 2600          | 1070                   | 0.15       | 3210          | 292      | 130                      | 80       | 47   | 175  | 16200                     | 0.178              | 3.5       | 0.4      | 4       | 30         |
| PH-292H | 105         | 260           | 1070                   | 0.15       | 3210          | 292      | 168                      | 105      | 47   | 228  | 16200                     | 0.243              | 3.5       | 0.4      | 4       | 44         |
| PH-316S | 90          | 2500          | 1320                   | 18.5       | 3960          | 316      | 150                      | 90       | 47   | 195  | 18800                     | 0.270              | 3.5       | 0.4      | 4       | 40         |
| PH-316H | 115         | 2500          | 1320                   | 18.5       | 3960          | 316      | 190                      | 115      | 47   | 245  | 18800                     | 0.395              | 3.5       | 0.4      | 4       | 60         |
| PH-342S | 90          | 2250          | 1870                   | 0.26       | 5610          | 342      | 150                      | 90       | 53   | 195  | 26700                     | 0.360              | 0.4       | 4.5      | 4       | 45         |
| PH-342H | 120         | 2250          | 1870                   | 0.26       | 5610          | 342      | 198                      | 120      | 53   | 225  | 26700                     | 0.520              | 0.4       | 4.5      | 4       | 71         |
| PH-390S | 100         | 2000          | 2850                   | 0.40       | 8550          | 390      | 165                      | 100      | 57   | 218  | 40700                     | 0.717              | 0.4       | 0.5      | 4       | 70         |
| PH-390H | 140         | 2000          | 2850                   | 0.40       | 8550          | 390      | 230                      | 140      | 57   | 298  | 40700                     | 1.10               | 0.4       | 0.5      | 4       | 115        |
| PH-450S | 130         | 1600          | 5000                   | 0.70       | 15000         | 450      | 216                      | 120      | 60   | 270  | 71400                     | 1.36               | 4.5       | 0.6      | 4       | 110        |
| PH-450H | 175         | 1600          | 5000                   | 0.70       | 15000         | 450      | 286                      | 170      | 60   | 360  | 71400                     | 2.42               | 4.5       | 0.6      | 4       | 190        |
| PH-520S | 150         | 1480          | 7150                   | 100        | 21450         | 520      | 250                      | 135      | 62   | 294  | 102000                    | 2.60               | 0.5       | 0.6      | 4       | 170        |
| PH-520H | 220         | 1480          | 7150                   | 100        | 21450         | 520      | 324                      | 180      | 62   | 384  | 102000                    | 5.45               | 5.5       | 0.6      | 4       | 300        |
| PH-600  | As Required | 1300          | 12850                  | 180        | 38550         | 600      | To suit Requirements     |          |      |      | 184000                    | On Request         | 0.6       | 0.8      | 4       | On Request |
| PH-672  |             | 1100          | 19230                  | 270        | 57690         | 672      |                          |          |      |      | 275000                    |                    | 6.5       | 0.8      | 4       |            |
| PH-725  |             | 1000          | 28500                  | 400        | 85500         | 725      |                          |          |      |      | 407000                    |                    | 6.5       | 0.8      | 4       |            |
| PH-812  |             | 850           | 42740                  | 600        | 128220        | 812      |                          |          |      |      | 612000                    |                    | 0.7       | 0.8      | 4       |            |
| PH-1000 |             | 750           | 64100                  | 900        | 192300        | 1000     |                          |          |      |      | 918000                    |                    | 0.8       | 0.8      | 5       |            |
| PH-1100 |             | 650           | 85500                  | 1200       | 256500        | 1100     |                          |          |      |      | 1216000                   |                    | 0.8       | 0.8      | 5       |            |
| PH-1175 |             | 550           | 107000                 | 1500       | 321000        | 1175     |                          |          |      |      | 1530000                   |                    | 0.8       | 0.10     | 6       |            |
| PH-1250 |             | 500           | 143000                 | 2000       | 429000        | 1250     |                          |          |      |      | 2040000                   |                    | 0.8       | 0.12     | 6       |            |